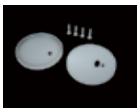


LW-ROUND30 NEW

ACCESSORIES :



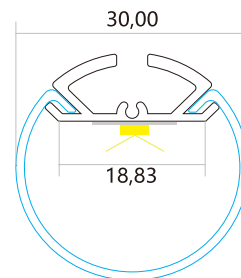
Aluminum Profile
Code: R30



Aluminum Endcap
(without hole)
Code: R30-Cap



Suspension Kits
Code: Sus.KitsA



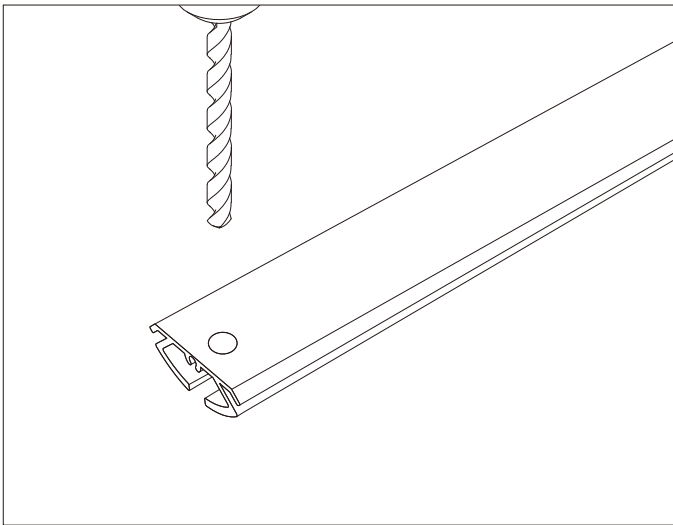
Optional Diffuser(PC)					
/					
Dimensions(mm)	Max strip width	Opal	Milky	Frosted	Clear
Ø60mm	27mm	√	/	√	/
Code		R60-O	/	R60-F	/
Light Transmittance		45%	/	53%	/

< 28.8W/m
Stocked length availability:2m,2.5m.
Customized length below 6m upon your request.

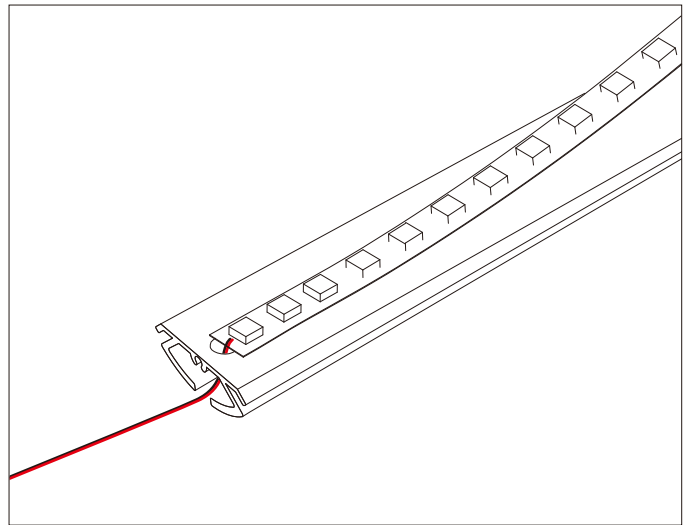


Installing Instructions

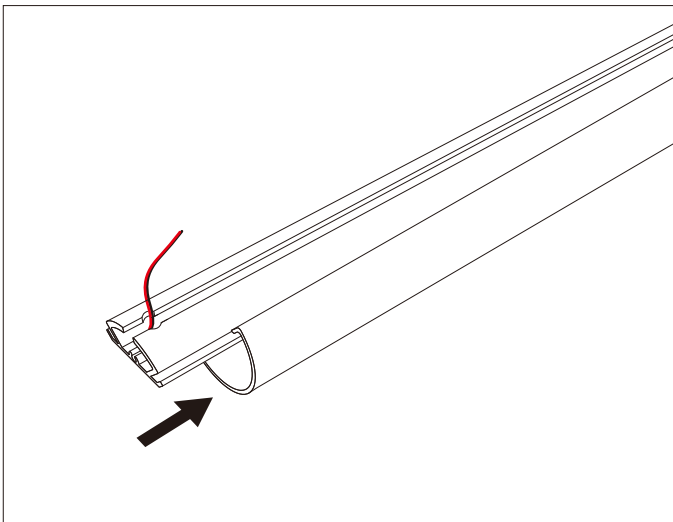
Suspended



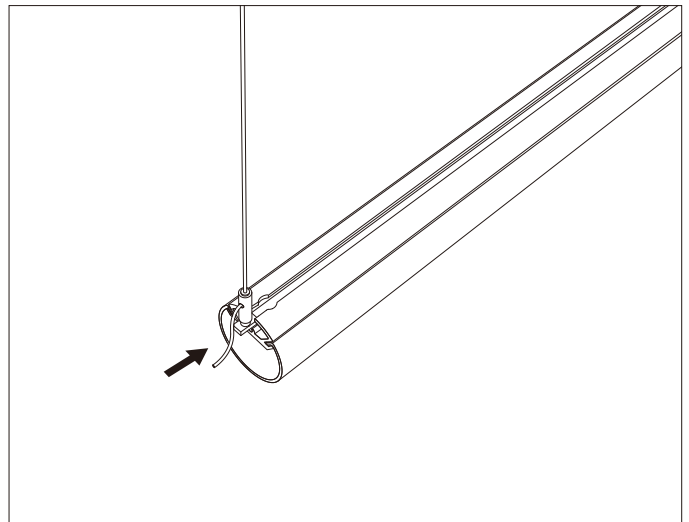
1. Drill a hole on the aluminium



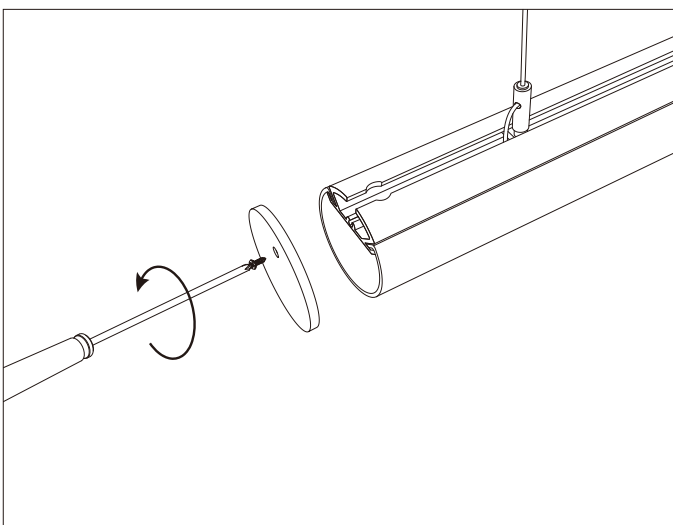
2. Fit the led strip on the aluminium



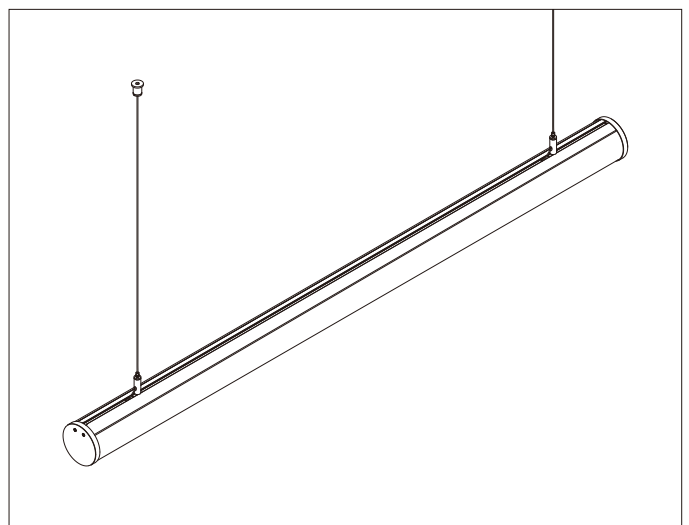
3. Click/snap on the diffuser from end to end



4. Install the suspension kits



5. Screws the end caps



6. Installation completed.